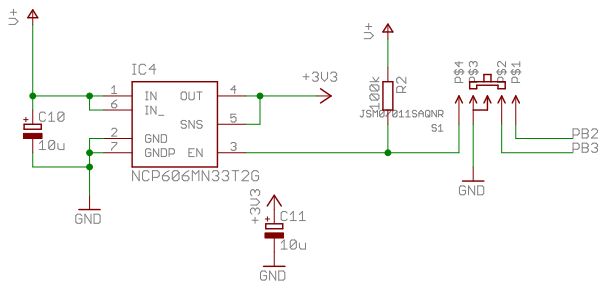
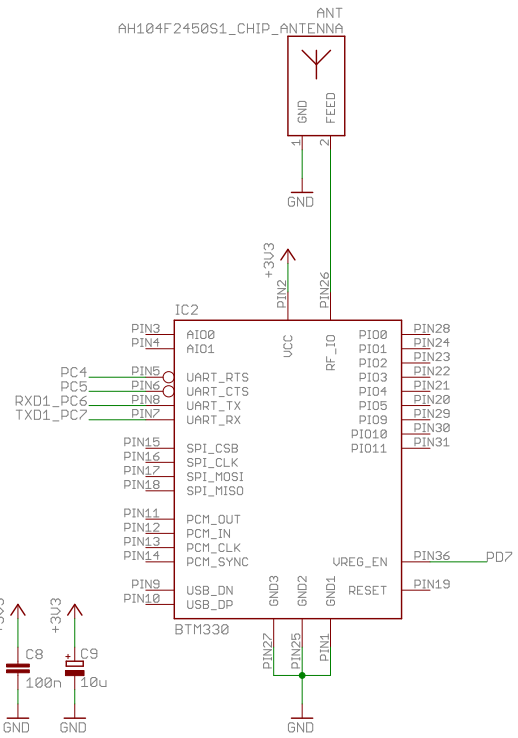


PocketBot2 circuit diagram

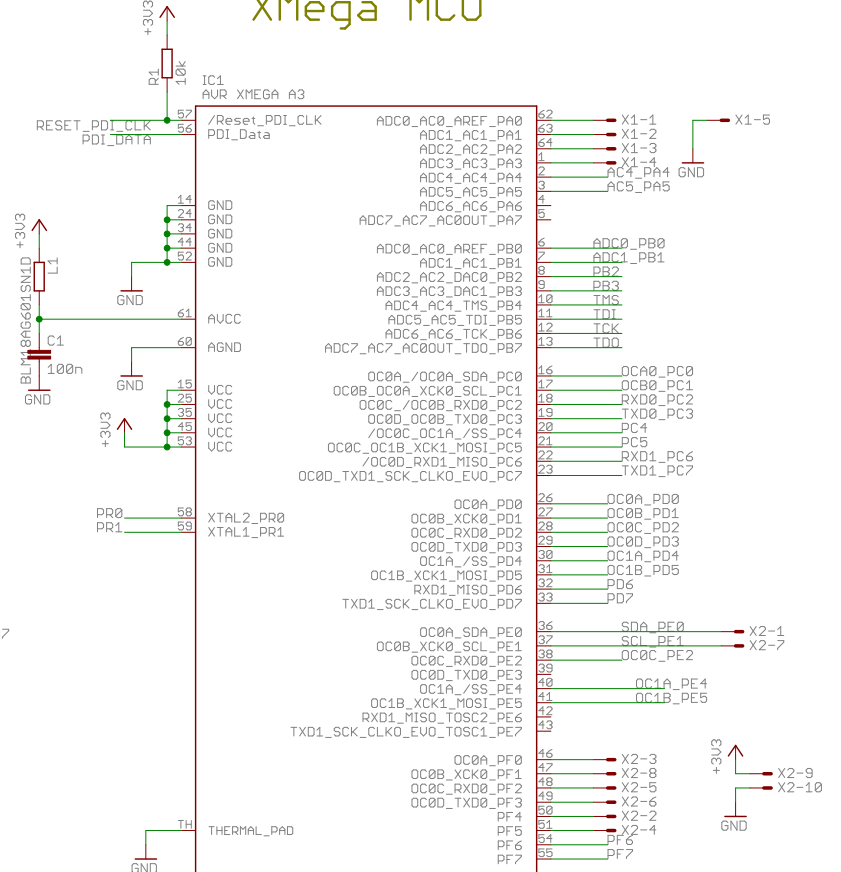
Power supply



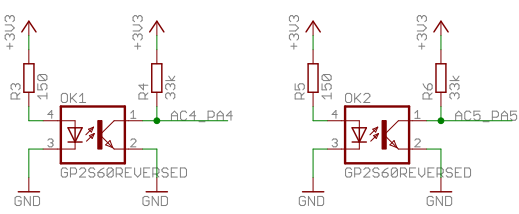
Bluetooth module



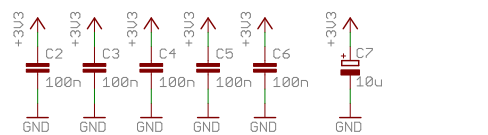
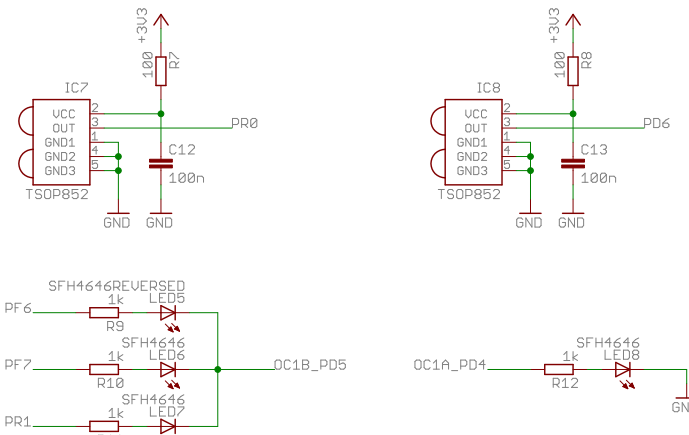
XMega MCU



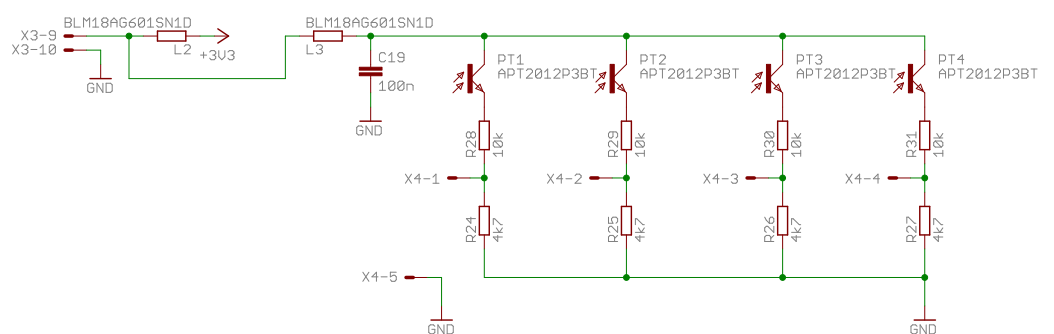
Encoders



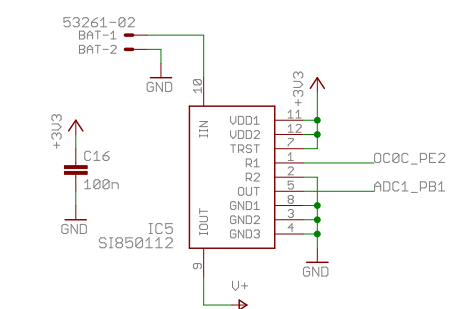
Proximity & optical communication



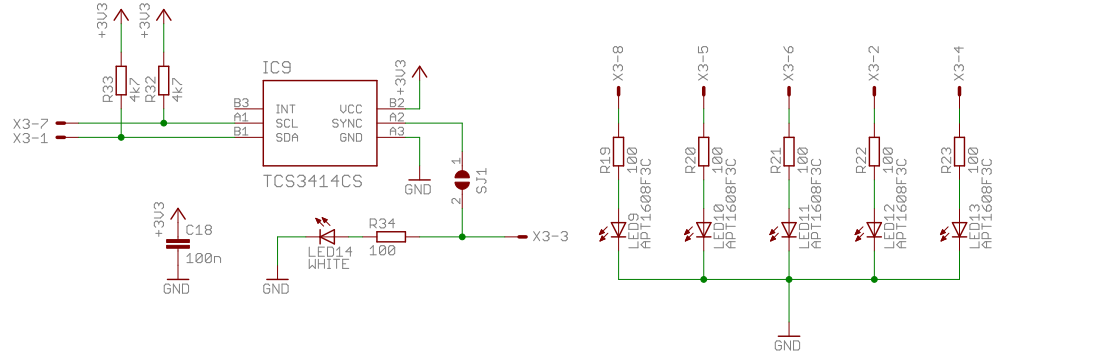
Line Sensor Module



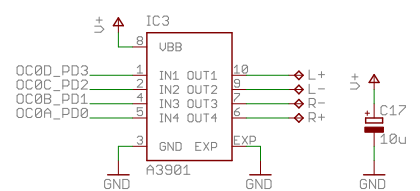
Current sensor



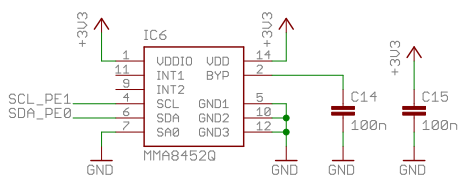
Battery voltage



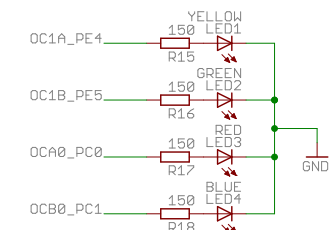
H-bridge



Accelerometer



Signalling LEDs



connector

